



**Basic**

BEOSOUND THEATRE WITH A 55" TV

PLACEMENT OPTIONS

- Table stand
- Motorised floor stand
- Motorised wall bracket

WEIGHT

Table stand incl LG G2 TV:  
49 kg

Motorised floor stand incl. LG G2 TV:  
69 kg

Motorised wall bracket incl. LG G2 TV:  
62 kg

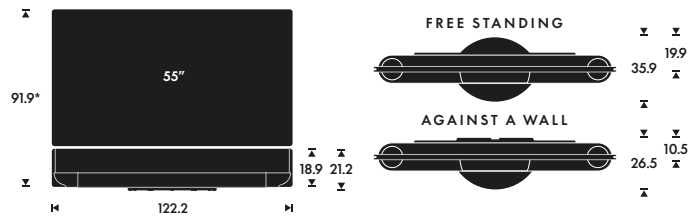
MOTORISED FLOOR STAND

The maximum turning angle is +/- 35 degrees. It requires 9 cm distance from wall.

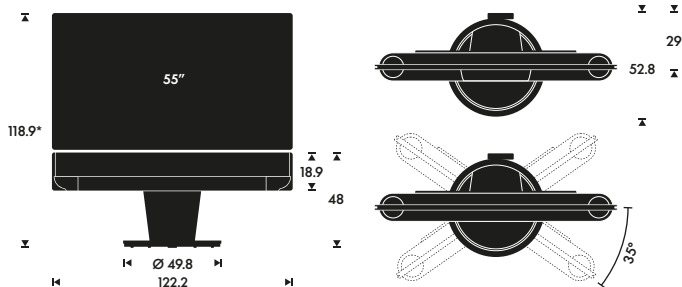
If the rear part of the floor stand is placed against the wall, the screen can be turned: +/-18 degrees.

**Product Dimensions**

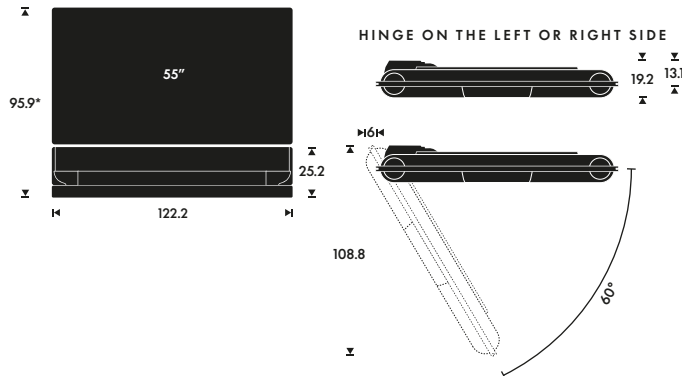
TABLE STAND WITH 55" TV



MOTORISED FLOOR STAND WITH 55" TV



MOTORISED WALL BRACKET WITH 55" TV



\*Height depends on TV model



**Basic**

BEOSOUND THEATRE WITH A 65" TV

PLACEMENT OPTIONS

- Table stand
- Motorised floor stand
- Motorised wall bracket

WEIGHT

Table stand incl LG G2 TV:  
53 kg

Motorised floor stand incl. LG G2 TV:  
73 kg

Motorised wall bracket incl. LG G2 TV:  
68 kg

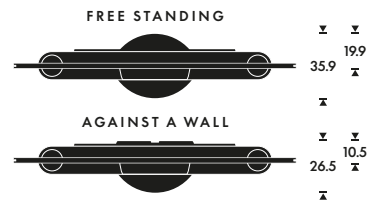
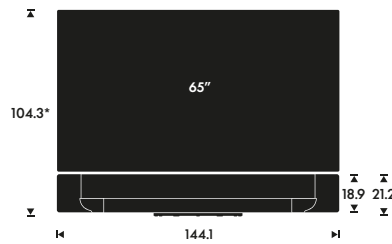
MOTORISED FLOOR STAND

The maximum turning angle is +/- 35 degrees. It requires 14 cm distance from wall.

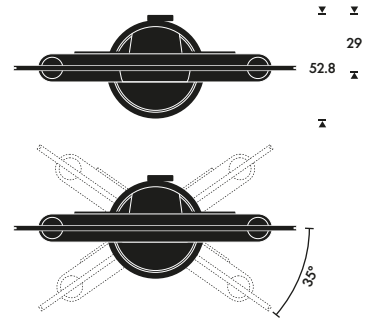
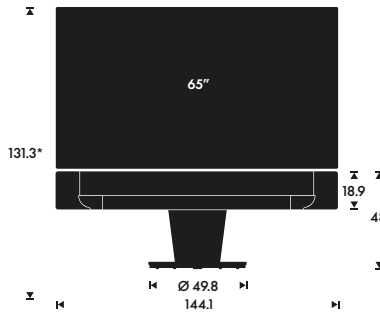
If the rear part of the floor stand is placed against the wall, the screen can be turned: +/-18 degrees.

**Product Dimensions**

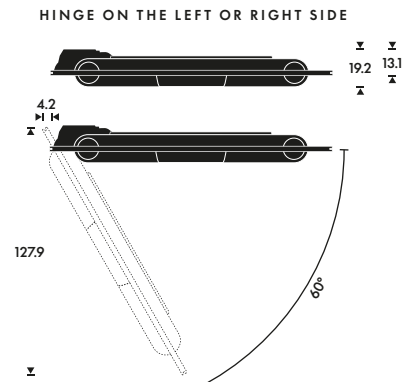
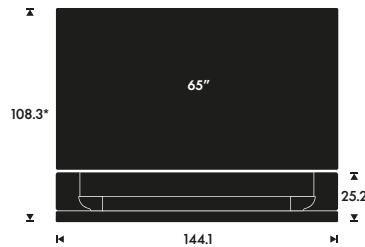
TABLE STAND WITH 65" TV



MOTORISED FLOOR STAND WITH 65" TV



MOTORISED WALL BRACKET WITH 65" TV



\*Height depends on TV model


**Basic**

BEOSOUND THEATRE WITH A 77" TV

**PLACEMENT OPTIONS**

- Table stand
- Motorised floor stand

**WEIGHT**

 Table stand incl LG G2 TV:  
66 kg

 Motorised floor stand incl. LG G2 TV:  
87 kg

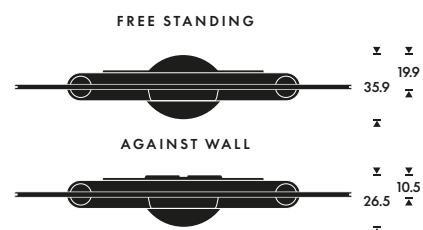
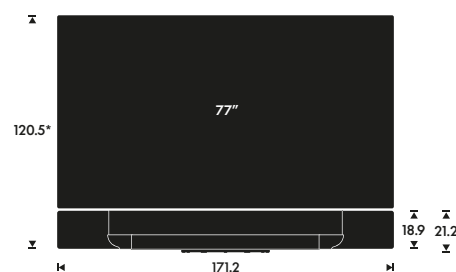
**MOTORISED FLOOR STAND**

The maximum turning angle is +/- 35 degrees. It requires 22 cm distance from wall.

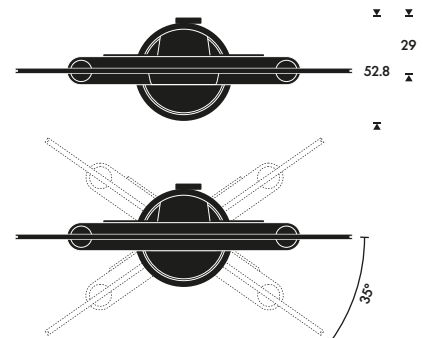
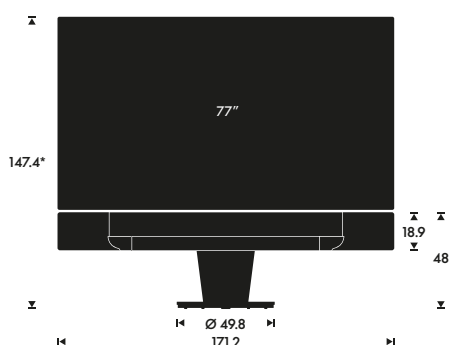
If the rear part of the floor stand is placed against the wall, the screen can be turned: +/-15 degrees.

**Product Dimensions**

TABLE STAND WITH 77" TV



MOTORISED FLOOR STAND WITH 77" TV



\*Height depends on TV model